

Vimec stairlifts



vimec ACCESSIBILITY

vimec ACCESSIBILITY

*Italian quality and design...
tailor made for you*

Dolce Vita

CHANGE YOUR LIFE
WITHOUT CHANGING HOME

The Dolce Vita chairlift
is always tailor made, with a precise design
to suit for your staircase and your needs.

NO MORE WORRIES...
WELCOME BACK
DOLCE VITA!



DISCOVER AGAIN
THE PLEASURE AND FREEDOM
TO LIVE IN YOUR HOME



Your home gathers all the beautiful things of your life: affections, memories, comforts which are a joy to find around you.



Living your home in full autonomy is a pleasure you can continue to share with your family without any limitation and with the maximum comfort.

Dolce Vita



MAXIMUM FLEXIBILITY AND MINIMUM INTRUSION

VIMEC DOLCE VITA can be installed either on the internal or external side of the stairs. No obstruction problems on the stairs since footrest, seat and armrests are completely folding. The seat and the footrest close and open together with a single movement. A range of colors for the seat and rail so you can choose the ones that best fit your home furnishings. Only a few simple gestures and the chairlift begins to be familiar.

Dolce Vita



The Dolce Vita chairlifts tailor-made rail is suitable for the longest and most difficult staircases.

Vimec twin-tube technology provides stability together with space reductions either on landings and along the stairs development.

We have successfully installed projects with 50-metres guides!

AT YOUR DISPOSAL
TO PROVIDE YOU WITH
THE BEST SOLUTION



Every house is different and every person has specific needs that have to be respected...

Vimec consultants are experienced and patient professionals, ready to share the experiences of other customers to better address your requirements.

We work for people's satisfaction.

LISTEN TO THE EXPERIENCE
OF THOSE WHO HAVE MADE
THE CHOICE ALREADY

The consultant who will propose you Vimec is a professional technician able to support you from the choice to the use, without problems, of your Dolce Vita.



The quality of more than 130.000 projects realised and installed in the world is our best warranty. The satisfaction of our customer is the proof.



CHOOSE DOLCE VITA BECAUSE...

It is easy to use, each solution is unique and tailor made to meet customer's needs.

It does not fear the long distances.

It can be installed in one day and does not require builders work.

Vimec uses a technology that avoids the risk of injury / damage from contact with the rack.

It can also be installed outdoors and has a solid and stable seat.

Safety and comfort

Dolce Vita

Dolce Vita is equipped with sensitive anti-collision edges, which stop the system in case there is an obstacle along the way. Armrest and footrest are particularly sturdy to offer elderly people a solid support. The chairlift activates only when all seat components (seat, armrest and footrest) are lowered in the working position. The seat rotation facilitates the landing on the floors. Soft START/STOP: the start and stop are soft and pleasant for every person. External systems are equipped with a protective cover.



VIMEC'S TECHNOLOGY IS RACK-FREE: AVOIDS DANGER OF INJURY AND DAMAGE

THE FOOTREST IS FITTED WITH SAFETY EDGES

INTUITIVE REMOTE CONTROL

THE SEAT ROTATION

OUTDOOR INSTALLATION

Technical features

Dolce Vita

AVAILABLE VERSIONS



THE SEAT IS AVAILABLE IN 3 WASHABLE COLOURS.

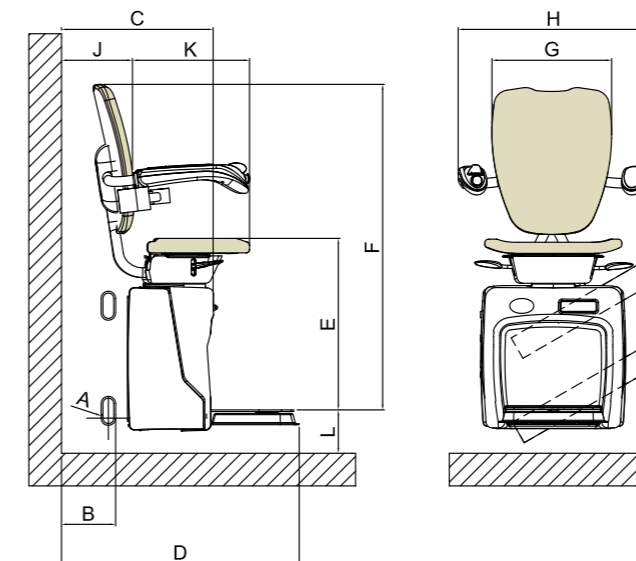
THE RAIL CAN BE PAINTED IN ANY RAL COLOR TO BETTER SUIT YOUR FURNITURE AND BE DISCRETE AND ELEGANT.

AVAILABLE IN OUTDOOR VERSION, WITH PROTECTIVE COVER.

DEPARTURE FROM THE LOWER FLOOR



TECHNICAL DATA



POWER SUPPLY	230 VAC
SPEED	0.15 M/S (MAX.)
DURATION OF USE	15 LAPS EVERY 24 HOURS - 10 CONTINUOUS LAPS
MAXIMUM LOAD	130 KG

DOLCE VITA		
A	DIMENSIONS OF THE GUIDE, WIDTH/HEIGHT	30 MM/50 MM
B	DISTANCE OF THE OUTER SIDE OF THE SCALE	130 MM
C	MACHINE DIMENSIONS WITH THE PLATFORM CLOSED	445 MM
D	MACHINE DIMENSIONS WITH THE PLATFORM OPEN	720 MM
E	DISTANCE BETWEEN THE PLATFORM AND THE SEA	530 MM
F	DISTANCE BETWEEN THE PLATFORM AND THE UPPER PART OF THE BACKREST	1.080 MM
G	BACKREST WIDTH	380 MM
H	DISTANCE BETWEEN ARMRESTS (EXTERNALLY)	600 MM
J	DISTANCE BETWEEN THE BACKREST AND THE WALL	195 MM
K	SEAT DEPTH	365 MM
L	DISTANCE BETWEEN THE UPPER PART OF THE PLATFORM TO THE FLOOR	90 MM

PROVIDED DATA IS INDICATIVE. VIMEC RESERVES THE RIGHT TO CHANGE THEM WITHOUT NOTICE.

vimec

Vimec was born in 1980 near the river Po, between the provinces of Mantova and Reggio Emilia.

Over the years we have become leaders thanks to the values that guide us every day: people are our customers, whom we deal with passion, commitment and integrity, in order to ensure the best consumer experience.

Vimec Accessibility is the division of the company that takes care of the design, implementation and installation of tailor-made solutions to support people needs of mobility, both at home and in public environments.

ART: KALIMERA.IT



AZIENDA CON SISTEMA QUALITÀ
CERTIFICATO DA DNV
= UNI EN ISO 9001/2008 =



7510148-05022015 440/0